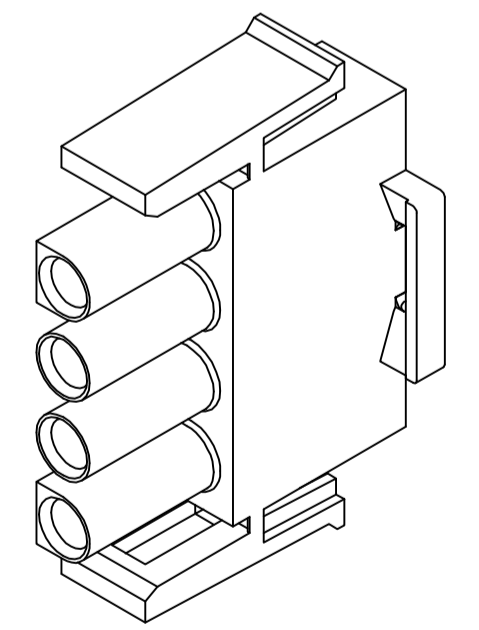
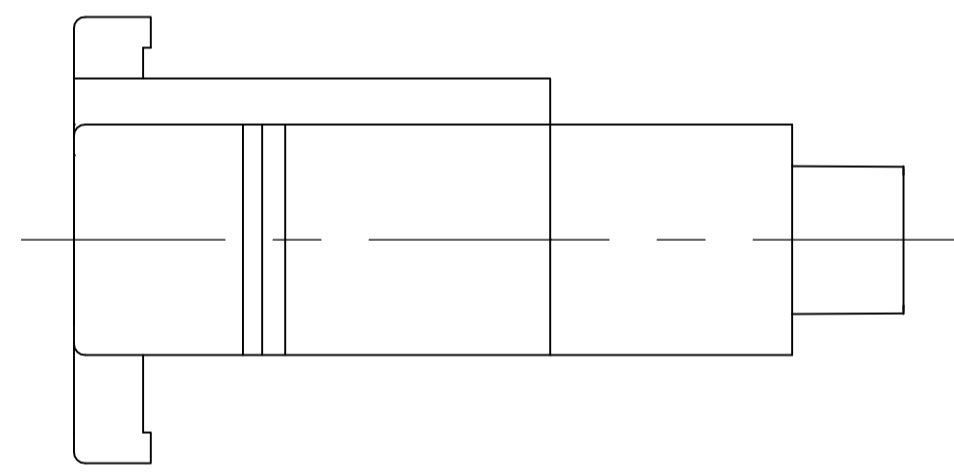
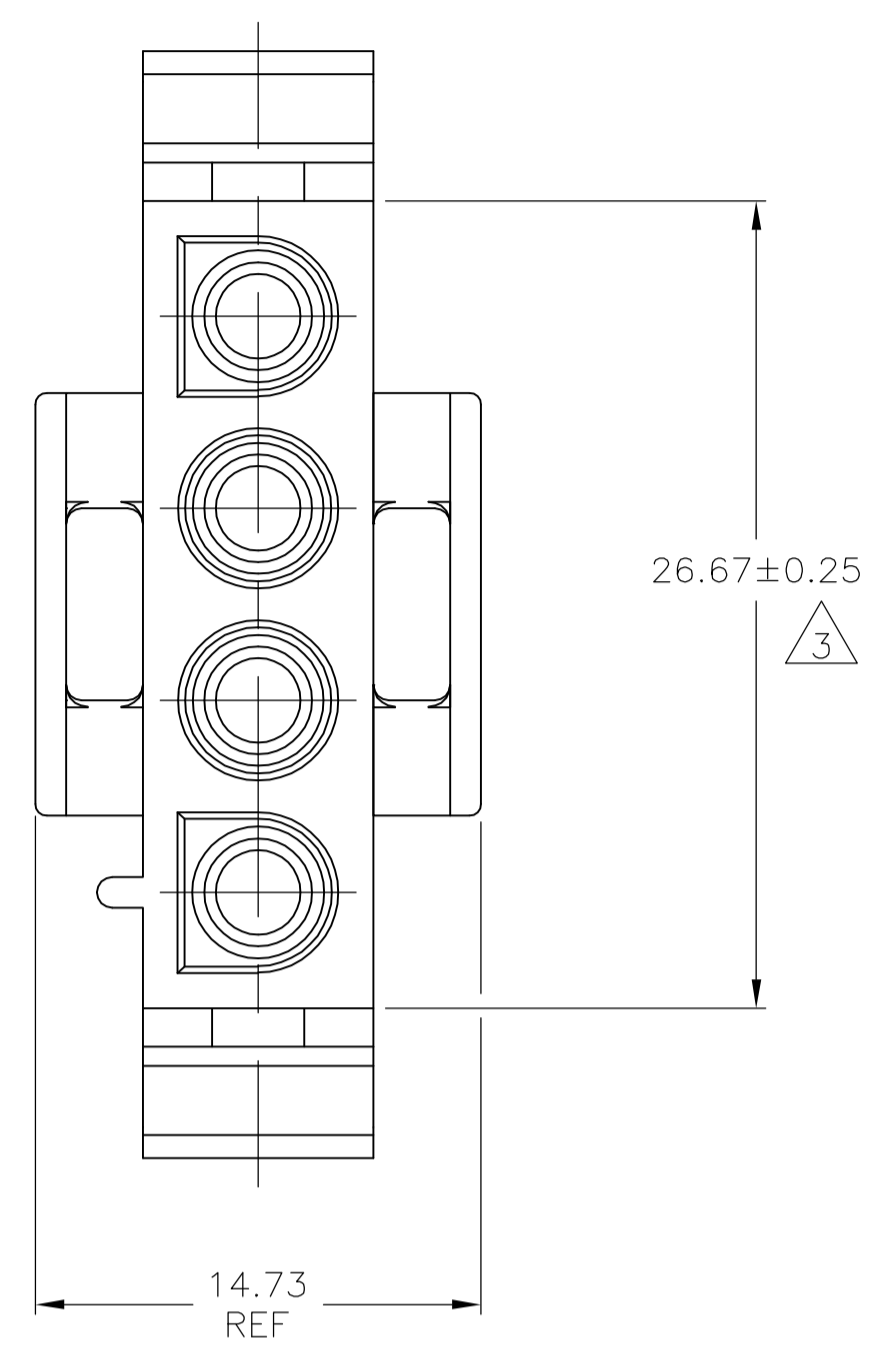
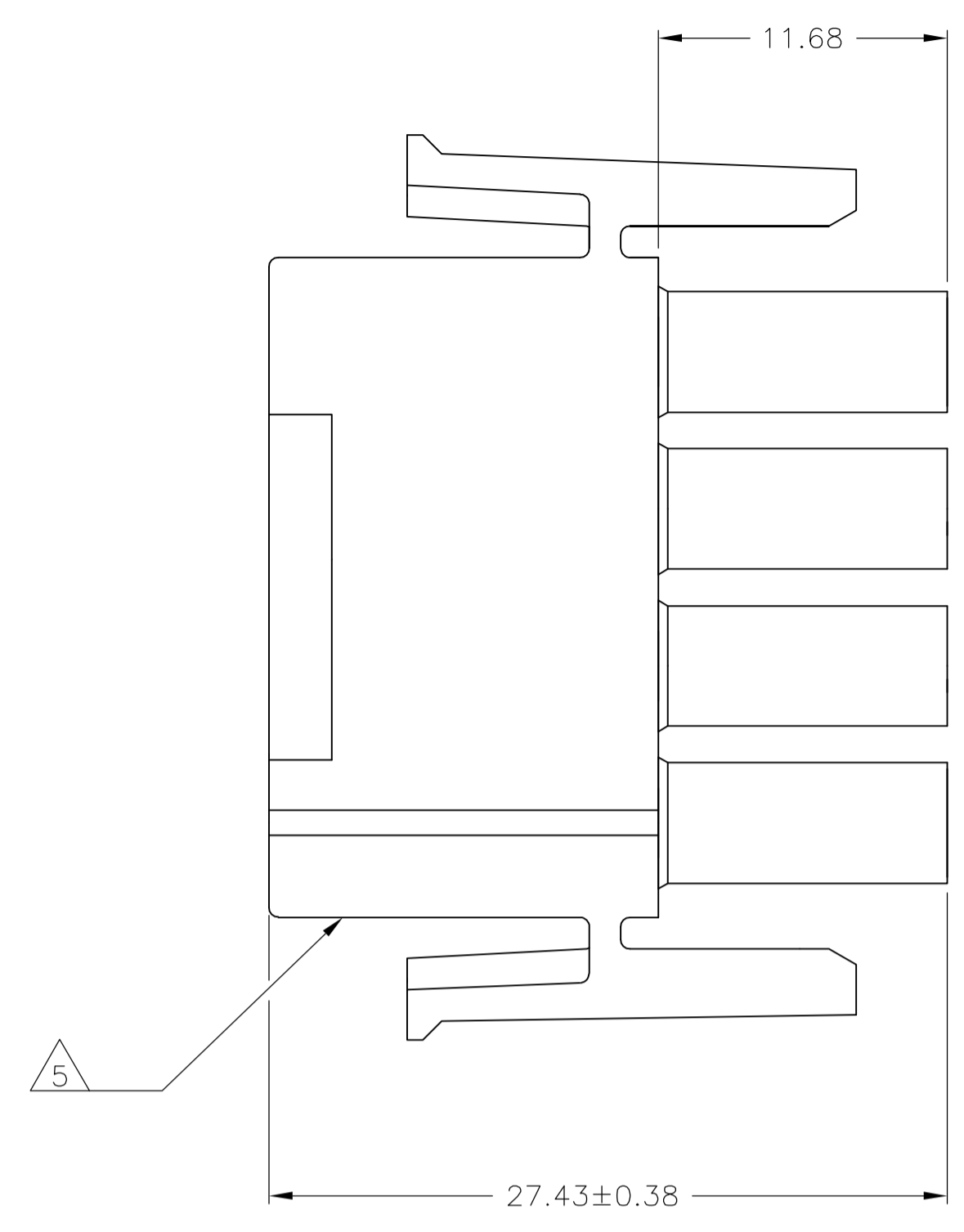
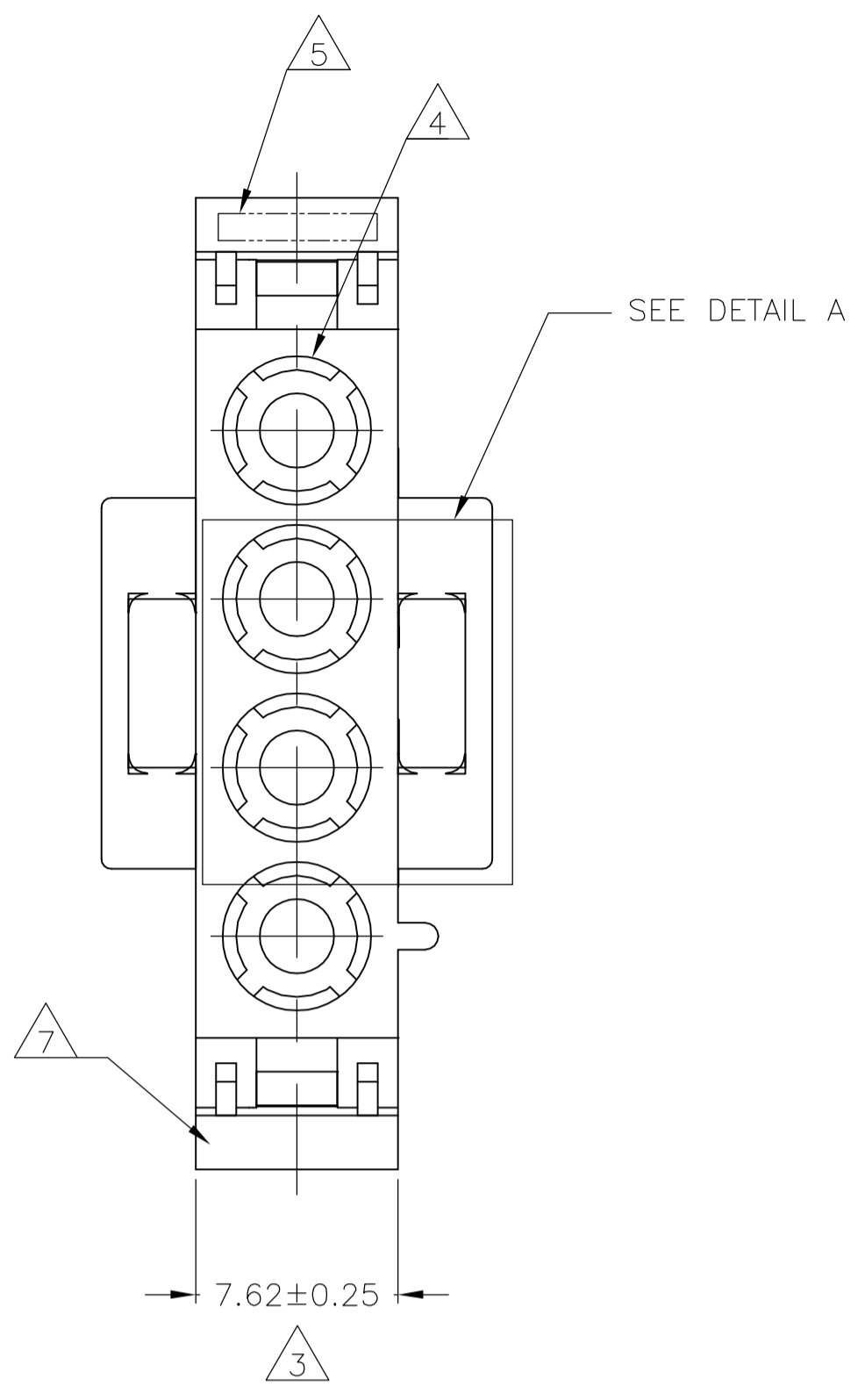


LOC		DIST		REVISIONS			
CM	0	REV	DATE	BY	APP'D		
AP		REVISED PER ECO-06-026936	16NOV06	KW	SR		

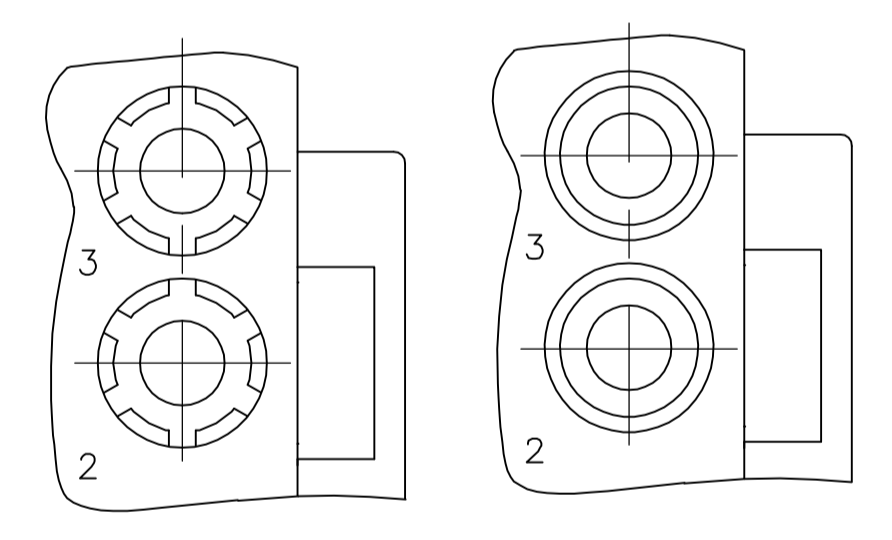


3-DIMENSIONAL MODEL  
NTS

MM	IN
27.43	1.080
26.67	1.050
14.73	.580
11.68	.460
7.62	.300
0.38	.015
0.25	.010
0.13	.005
MM	IN

CONVERSION TABLE

- NOTES:
- MATES WITH APPROPRIATE UNIVERSAL MATE-N-LOK™ CAP OR HEADER.
  - SMALL NICKS ARE PERMITTED ON THE CIRCUIT TOWERS WHICH COULD INCREASE THE INITIAL HOUSING MATING FORCE BY UP TO 4.4 NEWTONS [1.0 LBS]. NO INDIVIDUAL NICKED TOWER SHALL INCREASE THIS FORCE BY OVER 2.2 NEWTONS [.5 LBS].
- 3 DIMENSION INDICATED IS AS MOLDED. ADDITIONAL GROWTH DUE TO SUBSEQUENT MOISTURE ABSORPTION MAY OCCUR.
- 4 FOUR RIBS EQUALLY SPACED, NO SPECIFIC ORIENTATION. NO RIBS OR SIX RIBS EQUALLY SPACED, NO SPECIFIC ORIENTATION, OPTIONAL.
- 5 UNDERWRITERS RECOGNIZED COMPONENT LOGO AND CSA CERTIFICATION LOGO TO BE LOCATED ONCE EACH ON SIDE OF HOUSING.
- 6 TRADEMARK LOCATION (AMP OR TYCO).
- 7 MANUFACTURING LOCATION ID (OPTIONAL).



DETAIL A  
OPTIONAL CONSTRUCTION

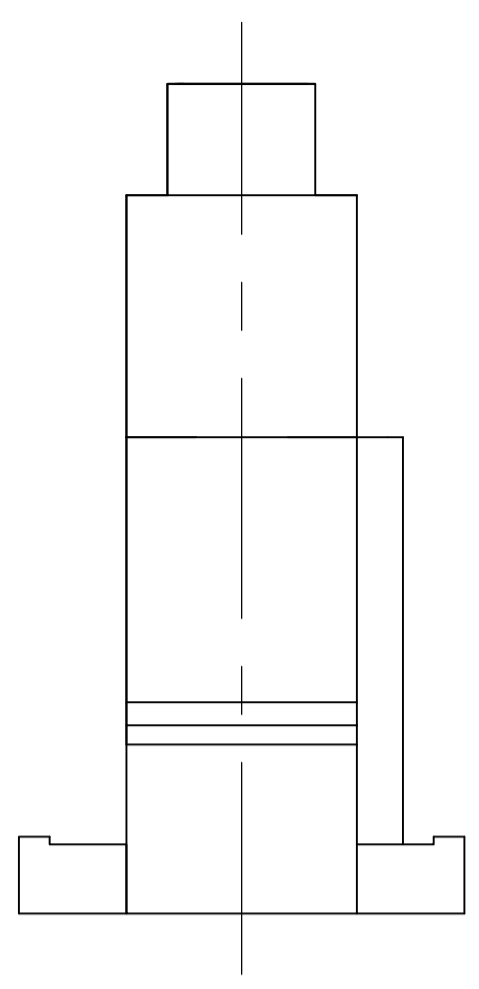
COLOR	PART NUMBER
BLACK	1-480702-9
GRAY	1-480702-8
BLUE	1-480702-6
GREEN	1-480702-5
YELLOW	1-480702-4
ORANGE	1-480702-3
RED	1-480702-2
BROWN	1-480702-1
NATURAL	1-480702-0

METRIC

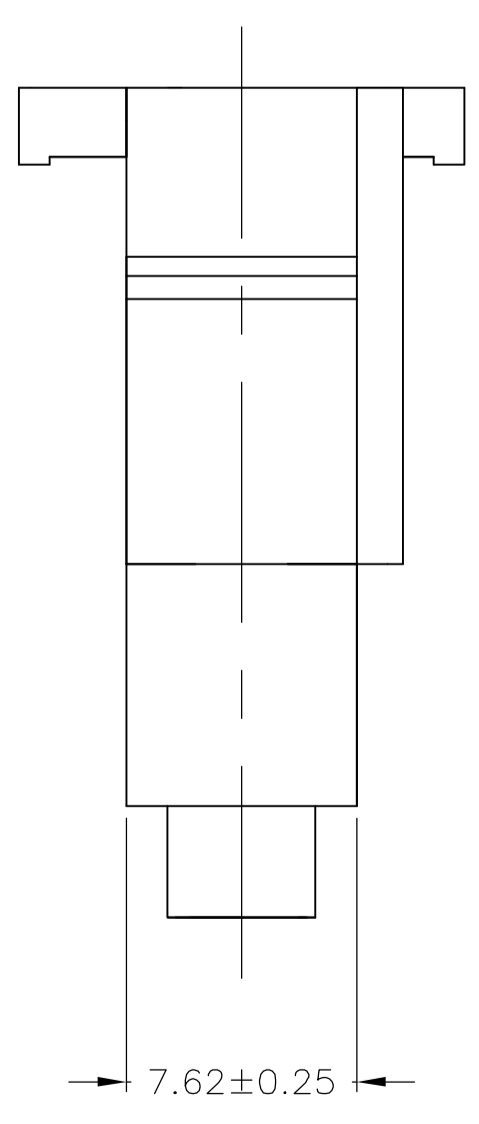
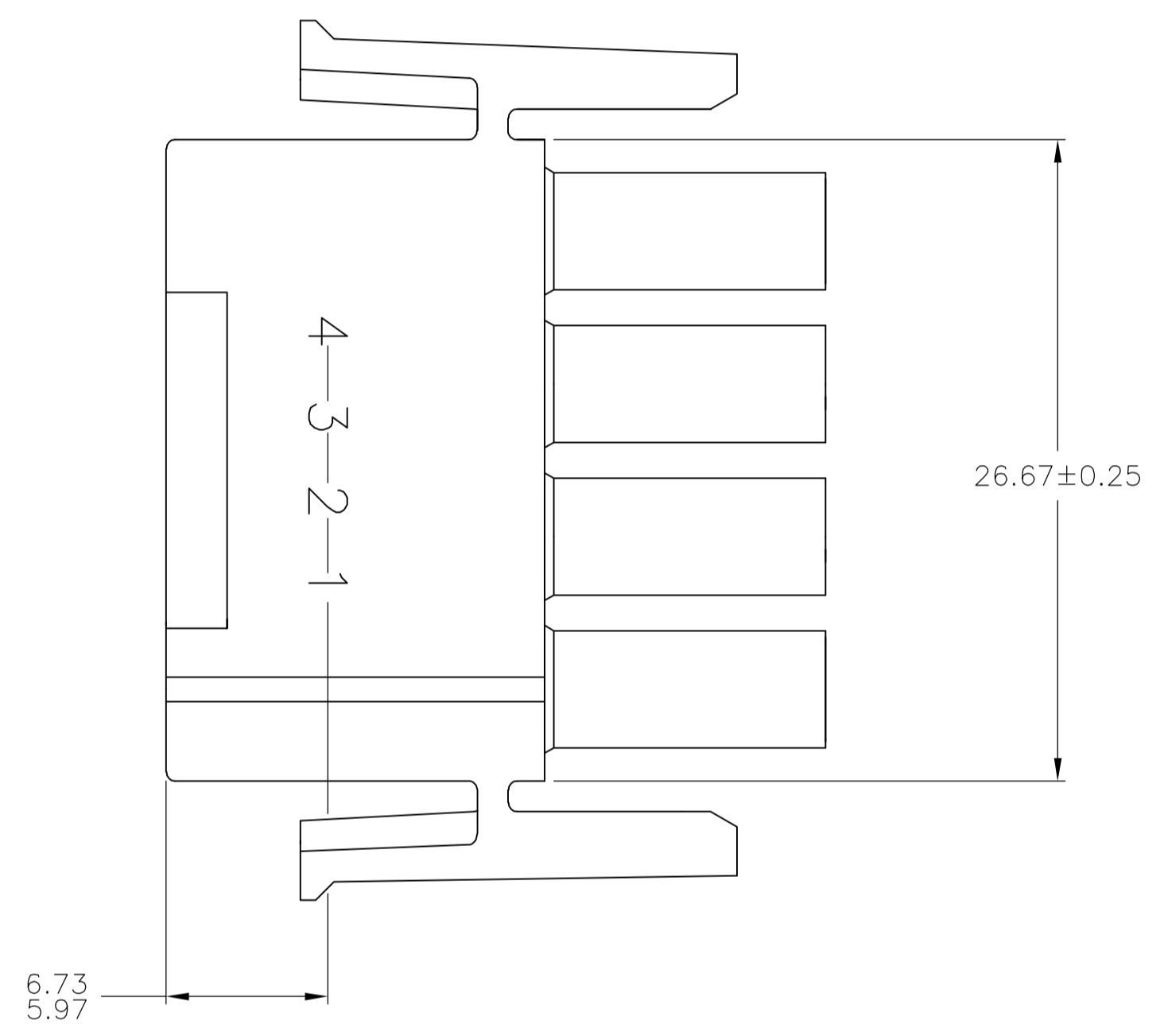
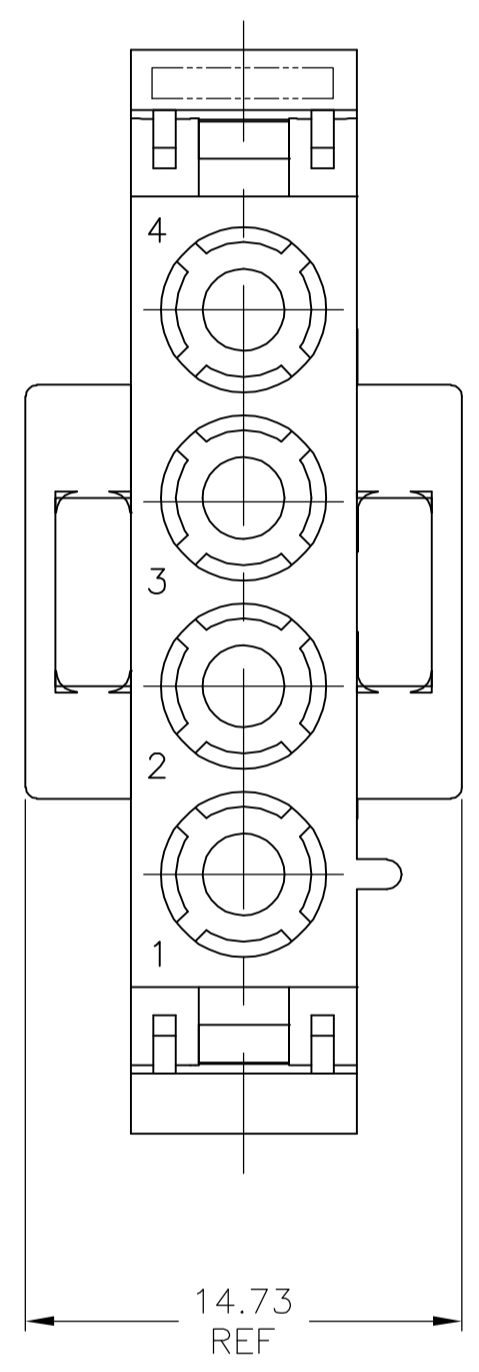
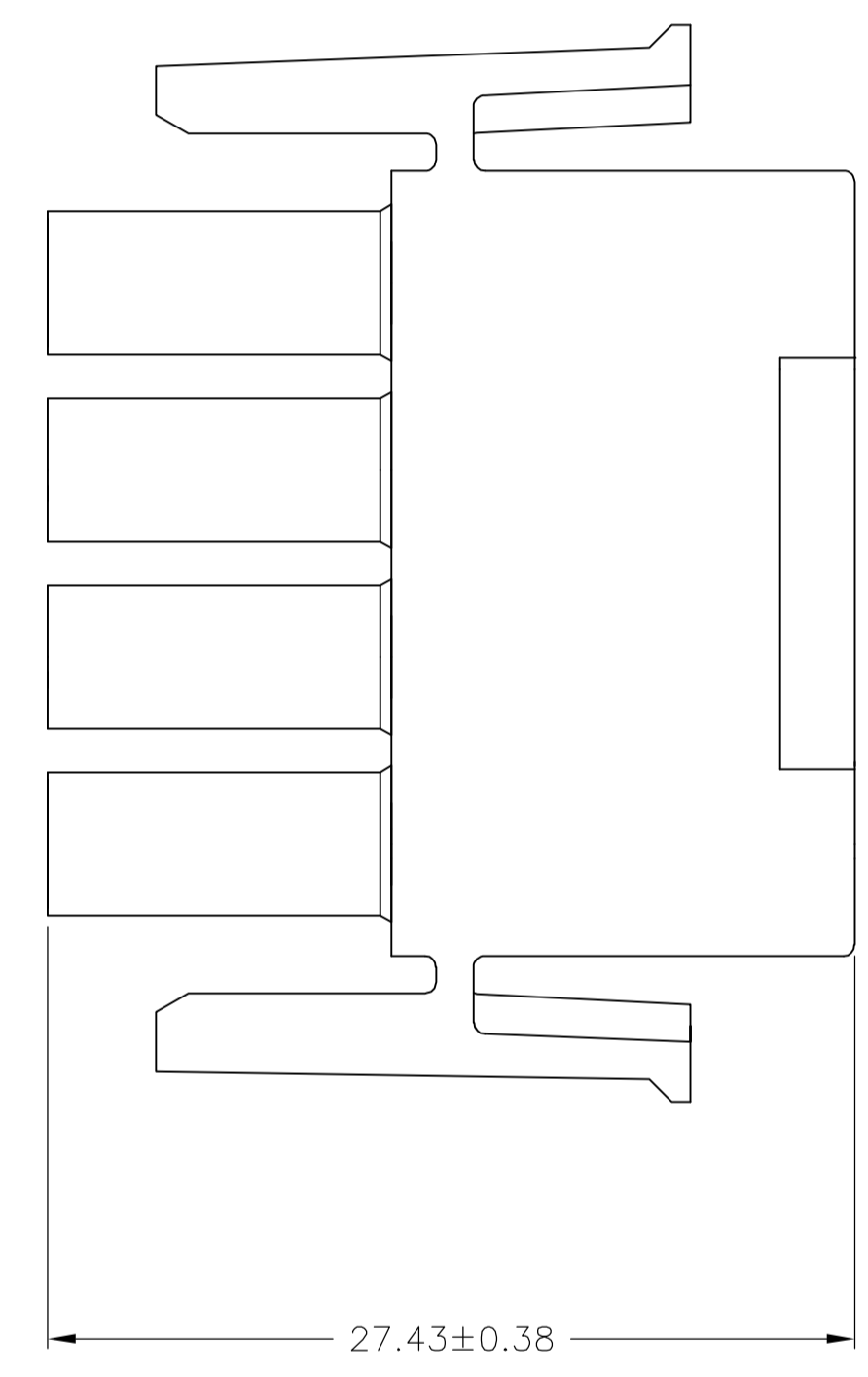
THIS DRAWING IS A CONTROLLED DOCUMENT.

DIMENSIONS:	TOLERANCES UNLESS OTHERWISE SPECIFIED:	DIN R VESTAL 08FEB95	tyco Electronics	Tyco Electronics Corporation Harrisburg, PA 17105-3608
mm	0 PLC ± -	CHK R SWING 08FEB95	NAME	PLUG, 4 CIRCUIT, UNIVERSAL MATE-N-LOK(TM)
	1 PLC ± -	AP'D D SELF 08FEB95	PRODUCT SPEC	
	2 PLC ± 0.13	APPLICATION SPEC	SIZE	A1
	3 PLC ± -	WEIGHT	SCALE	4:1
	4 PLC ± -	CUSTOMER DRAWING	DRAWING NO	00779
	ANGLES ± 0.30°	RESTRICTED TO	DRAWING NO	480702
	FINISH	SCALE	SHEET	1 OF 2
MATERIAL NYLON, UL 94V-2		SCALE	SHEET	1 OF 2
		SCALE	SHEET	1 OF 2
		SCALE	SHEET	1 OF 2

LOC		DIST		REVISIONS			
CM	0	NO	DATE	BY	APPROV		
		1	SEE SHEET 1				



- NOTES:
1. STAMP NUMBERS 3.18 HIGH AT WIRE END OF HOUSING (12 POINT DAVID TYPE).
  2. CHARACTERS TO BE POSITIONED ON HOUSING TO BE READ FROM WIRE END ONLY.
  3. VIOLET, BLACK, BROWN AND BLUE COLORED BLOCKS TO BE STAMPED WITH WHITE CHARACTERS. ALL OTHER COLORED BLOCKS TO BE STAMPED WITH BLACK CHARACTERS.



MM	IN	MM	IN
6.73	.265	-	-
5.97	.235	-	-
3.18	.125	27.43	1.080
0.38	.015	26.67	1.050
0.25	.010	14.73	.580
0.13	.005	7.62	.300

CONVERSION TABLE

NATURAL	2-480702-0
COLOR	PART NUMBER

THIS DRAWING IS A CONTROLLED DOCUMENT.

DIMENSIONS:	TOLERANCES UNLESS OTHERWISE SPECIFIED:	DIN R VESTAL 08FEB95		Tyco Electronics Corporation Harrisburg, PA 17105-3608
mm	0 PLC ± - 1 PLC ± - 2 PLC ± 0.13 3 PLC ± - 4 PLC ± - ANGLES ± 0.30° FINISH -	CHK R SWING 08FEB95		NAME D SELF 08FEB95
MATERIAL NYLON, UL 94V-2		APPROD D SELF 08FEB95	PRODUCT SPEC	RESTRICTED TO
		APPLICATION SPEC	SIZE A1	CAGE CODE 00779
		WEIGHT	DRAWING NO C=480702	REV AP
		CUSTOMER DRAWING	SCALE 4:1	SHEET 2 OF 2

METRIC